

1000MC-WDR

1000 TVL Pinhole Camera



Key Features

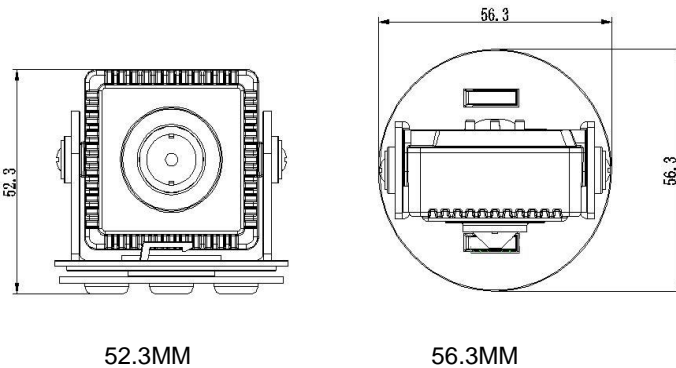
- SONY 720P CMOS image sensor
- Ultra Wide Dynamic Range
- 3D Noise Eliminating Technology
- Low illumination working capability
- OSD Menu
- DC12V
- 3.7mm Pinhole lens

Model	1000MC-WDR
Image Sensor	1/2.8" 720P sensor
Video Format	PAL/NTSC
Resolution	1000TVL
Effective Pixels	1280(H) x 1024(V)
OSD	English
Min. Illumination	0.01Lux
S/N Ratio	≥50dB (AGC OFF)
Sync Mode	Internal
WDR	125dB HIGH/MID/LOW/OFF
White Balance	Auto/Autoext/Preset/Manual
AGC	Auto
Backlight	BLC/WDR/OFF/HLC
DNR	HIGH/MID/LOW/OFF
Functions	Digital Zoom 1x-8x/Defog/Mirror/Shading Privacy Masking 16Masks/Sensor up 50X
Electronic Shutter	Auto/Manual(1/50\60-1/60,000s)
Voltage	DC12V
Current	<150mA
Lens	3.7mm pinhole
Operation Temp.	(-10°C~50°C Humidity 90% MAX)
Storage Temp.	(-20 °C~60°C)
Weight	100g
Certifications	FCC / CE



Dimensions

Unit : mm



Accessories (Optional)

*No accessories for this product

*Revised 05.15.2015