

# 1000BUIRVF

1000 TVL Varifocal IR Bullet Camera 1/2.8" SONY 720P CMOS  
WATER-PROOF



## PRODUCT SPECIFICATIONS

### PRODUCT FEATURES

- SONY 720P CMOS image sensor
- Ultra Wide Dynamic Range
- High Effective Resolution
- 3D Noise Eliminating Technology
- Low illumination working capability
- OSD Menu
- Long-life IR Light Source Design
- Max. IR LEDs length 30m
- Smart IR
- IP66 & IK10 Certified
- Dual DC12V, 24 VAC
- Digital Imaging Stabilization

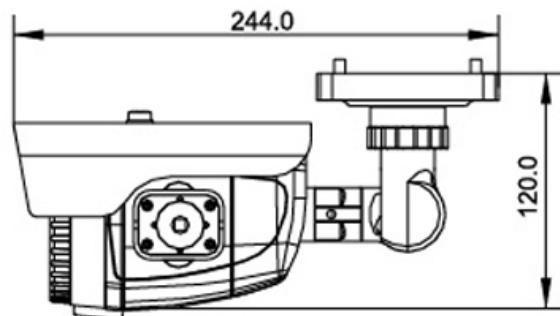
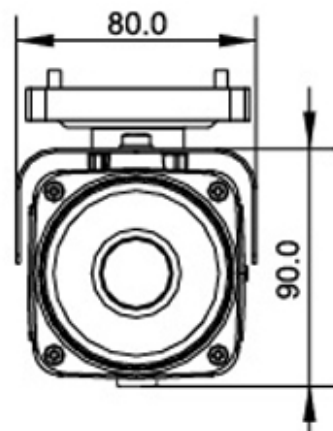


### PRODUCT CAPABILITIES

The **1000BUIRVF** is our new SONY 720P CMOS Image Sensor. The ruggedized aluminum housing is vandal resistant (IK10) and water resistant (IP66) for indoor and outdoor applications.

Powerful Sony technology provides the installer with a variety of optional configurations by accessing the OSD to handle the most challenging conditions. High Light Compensation (HLC) and (WDR) – Wide Dynamic Range to render the highest quality images possible. Integrated IR LEDs provide superior coverage for low-light viewing up to 30m.

The **1000BUIRVF** provides is a versatile imaging platform that is well suited for demanding applications including: Warehouses, Office Buildings, Parking Lots, Property Perimeters, and many other uses.



XTS Corp. Headquarters  
8870 N.W 18th Terrace,  
Doral, FL 33172  
P: 305.863.7779  
F: 305.863.7478  
TF: 1.855.797.8XTS  
[www.xtscorp.com](http://www.xtscorp.com)

# 1000BUIRVF

1000 TVL Varifocal IR Bullet Camera 1/2.8" SONY 720P CMOS  
WATER-PROOF

## TECHNICAL SPECIFICATIONS

### CAMERA

Model	1000BUIRVF
Image Sensor	1/2.8" 720P sensor
Video format	NTSC / PAL
Resolution	1000TVL
Effective Pixels	1280(H)x1024(V)
OSD	English
Min-illumination	0Lux(IR ON);0.01Lux(IR OFF)
S/N Ratio	≥50dB (AGC OFF)
Sync Mode	Internal
WDR	125dB / HIGH/MID/LOW/OFF
White Balance	Auto/Autoext/Preset/Manual
AGC	Auto
Backlight	BLC/WDR/OFF/HLC
DNR	HIGH/MID/LOW/OFF
Functions	Digital Zoom 1x-8x/Defog/Mirror/Shading/ Privacy Masking 16Masks/Sensor up 50X
Electronic Shutter	AUTO/MANUAL(1/50/60-1/60000s )
Voltage	Dual DC12V, 24 VAC
Current	370mA±10%(IR ON);100mA±10%(IR OFF)
IR range	30m
Lens	2.8-12mm
Operating Temp.	-10°C ~ 50°C
Storage Temp.	-20°C~60°C
Dimension	244(L) * 120(H) * 80(W)
Weight	1000g

### CERTIFICATIONS

CE	Yes
FCC	Yes
Protection Rating	IP66 / IK10

Note: Specs can change at anytime without notice



XTS Corp. Headquarters  
8870 N.W 18th Terrace,  
Doral, FL 33172  
P: 305.863.7779  
F: 305.863.7478  
TF: 1.855.797.8XTS  
[www.xtscorp.com](http://www.xtscorp.com)  
Reserved