

# 1000MDVPIR-AU

1000 TVL Dome Camera 1/2.8" SONY 720P CMOS



## PRODUCT SPECIFICATIONS

### PRODUCT FEATURES

- SONY 720P CMOS image sensor
- Ultra Wide Dynamic Range
- High Efficiency Resolution
- 3D Noise Eliminating Technology
- Low illumination working capability
- Audio Supported
- Long-life IR Light Source Design
- Max. IR LEDs length 20m
- Smart IR
- DC12V

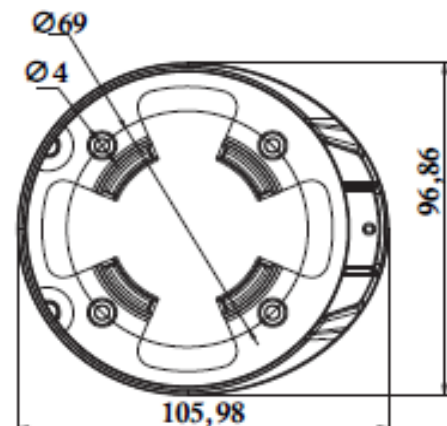
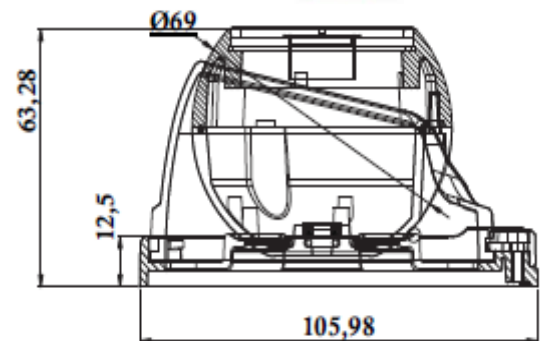


### PRODUCT CAPABILITIES

The **1000MDVPIR-AU** is our new SONY 720P CMOS Image Sensor. The ruggedized aluminum housing is vandal resistant - indoor application.

A professional armored security Dome, the **1000MDVPIR-AU** features infrared LED illumination capturing high contrast, high resolution motion video, using a top of the line 1/2.8" SONY 720P CMOS. The image signal processor allows to set up a wide assortment of options, reduce the video noise with a 2D technology (DNR).

The **1000MDVPIR-AU** provides is a versatile imaging platform that is well suited for demanding applications including: Warehouses, Office Buildings, Parking Lots, Property Perimeters, indoor use only.



XTS Corp. Headquarters  
8870 N.W 18th Terrace,  
Doral, FL 33172  
P: 305.863.7779  
F: 305.863.7478  
TF: 1.855.797.8XTS  
[www.xtscorp.com](http://www.xtscorp.com)

# 1000MDVPIR-AU

1000 TVL Dome Camera 1/2.8" SONY 720P CMOS

## TECHNICAL SPECIFICATIONS

### CAMERA

Model	1000MDVPIR-AU
Image Sensor	1/2.8" 720P sensor
Video format	NTSC / PAL
Resolution	1000TVL
Effective Pixels	1280(H)x1024(V)
Audio	Yes, Supported
Min. Illumination	0Lux(IR ON);0.01Lux(IR OFF)
S/N Ratio	≥50dB (AGC OFF)
Sync Mode	Internal
WDR	125dB
White Balance	Auto
AGC	Auto
Backlight	Auto
DNR	Auto
Electronic Shutter	Auto
Voltage	DC12V
Current	220mA±15%(IR ON);100mA±10%(IR OFF)
IR range	20m
Lens	3.6mm
Operating Temp.	-10°C ~ 50°C / RH 90% Max
Storage Temp.	-20°C ~ 60°C
Dimension	106mm(L)*97mm(W)*73mm(H)
Weight	320g

### CERTIFICATIONS

CE	Yes
FCC	Yes

Note: Specs can change at anytime without notice



XTS Corp. Headquarters  
8870 N.W 18th Terrace,  
Doral, FL 33172  
P: 305.863.7779  
F: 305.863.7478  
TF: 1.855.797.8XTS  
[www.xtscorp.com](http://www.xtscorp.com)  
Reserved

©2015 XTS CORP All Rights

JM 08.12...2015