

1000MDVPIR

1000 TVL Dome Camera 1/2.8" SONY 720P CMOS
WATER-PROOF



PRODUCT SPECIFICATIONS

PRODUCT FEATURES

- SONY 720P CMOS image sensor
- Ultra Wide Dynamic Range
- High Efficiency Resolution
- 3D Noise Eliminating Technology
- Low illumination working capability
- OSD Menu
- Long-life IR Light Source Design
- Max. IR LEDs length 20m
- Smart IR
- IP66
- DC12V

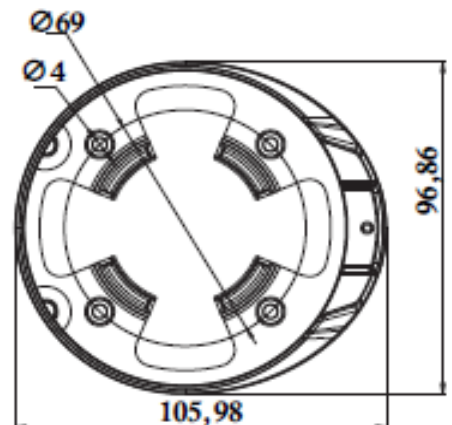
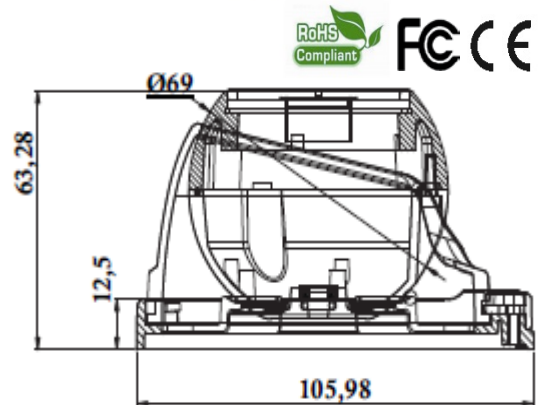


PRODUCT CAPABILITIES

The **1000MDVPIR** is our new SONY 720P CMOS Image Sensor. The ruggedized aluminum housing is vandal resistant and water resistant (IP66) for indoor and outdoor applications.

Powerful Sony technology provides the installer with a variety of optional configurations by accessing the OSD to handle the most challenging conditions. High Light Compensation (HLC) and (WDR) – Wide Dynamic Range to render the highest quality images possible. Integrated IR LEDs provide superior coverage for low-light viewing up to 20m.

The **1000MDVPIR** provides is a versatile imaging platform that is well suited for demanding applications including: Warehouses, Office Buildings, Parking Lots, Property Perimeters, and many other uses.



XTS Corp. Headquarters
8870 N.W. 18th Terrace,
Doral, FL 33172
P: 305.863.7779
F: 305.863.7478
TF: 1.855.797.8XTS
www.xtscorp.com

TECHNICAL SPECIFICATIONS

CAMERA

Model	1000MDVPIR
Image Sensor	1/2.8" 720P sensor
Video format	NTSC / PAL
Resolution	1000TVL
Effective Pixels	1280(H)x1024(V)
OSD	English
Min. Illumination	0Lux(IR ON);0.01Lux(IR OFF)
S/N Ratio	≥50dB (AGC OFF)
Sync Mode	Internal
WDR	125dB / HIGH/MID/LOW/OFF
White Balance	Auto/Autoext/Preset/Manual
AGC	Auto
Backlight	BLC/WDR/OFF/HLC
DNR	HIGH/MID/LOW/OFF
Functions	Digital Zoom 1x-8x/Defog/Mirror/Shading/ Privacy Masking 16Masks/Sensor up 50X
Electronic Shutter	AUTO/MANUAL(1/50/60-1/60000s)
Voltage	DC12V
Current	220mA±15%(IR ON);100mA±10%(IR OFF)
IR range	20m
Lens	3.6mm
Operating Temp.	-10°C ~ 50°C / RH 90% Max
Storage Temp.	-20°C ~ 60°C
Dimension	106mm(L)*97mm(W)*73mm(H)
Weight	320g

CERTIFICATIONS

CE	Yes
FCC	Yes
Protection Rating	IP66

Note: Specs can change at anytime without notice



XTS Corp. Headquarters
8870 N.W 18th Terrace,
Doral, FL 33172
P: 305.863.7779
F: 305.863.7478
TF: 1.855.797.8XTS
www.xtscorp.com
Reserved