

## MDVRHB9705

### Hybrid Mobile Digital Recorder

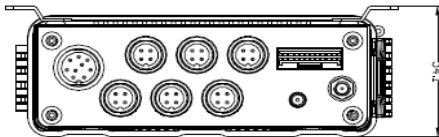


### Key Features

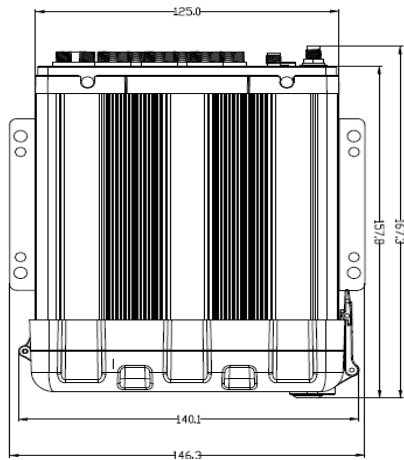
- 4 channels WD1+1 channel 720P
- Dual SD cards for main recording (not included)
- GPS for location tracking (included)
- 3G or WIFI (optional) for live view and remote management
- 360 degree anti-vibration
- USB2.0 high speed backup
- Certificates: CE, FCC

### Dimensions

(H) 54.1 MM



(W) 146.3 MM



Model	MDVRHB9705	
<b>Function Overview</b>	Preview, Recording, Playback, Network, Locating	
<b>System</b>	OS	Linux 3.0.8
	Control Mode	LCDCP7-TS, MNVR-EC, Network, Mouse
<b>Video</b>	Video Input	4 channels WD1+1 channel 720P
	Video Output	1 channel (Aviation-din X1)
	Total Resource	(4 x 30)FPS WD1 NISTC / (4 x 25)FPS WD1 PAL, (1 x 30)FPS 720P
	Video Signal Standard	Electrical level: 1Vpp Impedance : 75Ω NTSC/PAL Optional
	Video system	NTSC / PAL (optional)
<b>Audio</b>	Audio Input	5 channels (1 channel IPC audio input)
	Audio Output	1 channel
	Audio Signal Standard	Electrical level: 2Vpp Input impedance: 4.7kΩ
<b>Display</b>	Display Split	1/4/9
	OSD	GPS information, alarm, vehicle No., speed, date/time
	Operation Interface	Semi-transparent GUI
<b>Recording</b>	Video/Audio Compression	H.264/ADPCM
	Image Resolution	<b>Analog:</b> NTSC: WD1(928X480), WHD1(928X240), WCIF(464X240), D1(704x480), HD1(704x240), CIF(352x240) PAL: WD1(928X576), WHD1(928X288), WCIF(464X288), D1(704X576), HD1(704x288), CIF(352x288) <b>Digital:</b> 720P(1280X720)
	Image Quality	1-8 levels adjustable (1 is the best)
	Recording Mode	Boot up/Manual/Schedule/Alarm
	Pre-recording	0-60minutes
	Post-recording	0-30minutes
	Mirror Dual Recording	Support
<b>Playback</b>	Playback Channel	1 channel by local playback
	Search Mode	Date/time, channel, event
<b>Network</b>	3G	EVDO/WCDMA (optional)
	WIFI	(Optional)
	IPC Ethernet	6 pin DJ (100Mx1,PON Power Supply)
<b>Location</b>	GPS	location tracking, speed detection and time sync (Included)
<b>Storage</b>	SD Card	SD Card X2 - Recommended (32GB / 64GB / 128GB/ Class 10/ SDHC Card (not included)
<b>Interface</b>	USB	USB 2.0 × 1
	RS232	RS232 × 1
	Sensor	8 inputs, 2 outputs
	Speed	1 channel pulse speed detection
	Intercommunication	1 mic interface
<b>Power</b>	Input	DC8-36V,Ignition signal
	Output	5V@1A
	Max Power Consumption	29W
	Standby Power Consumption	≈0W
<b>Physical Characteristics</b>	Dimension (L x W x H)	167.3mm x 146.3 mm x 54.1mm
	Weight	0.83kg / 1.83 lb.
<b>Environment</b>	Operating Temperature	-40°C- +70°C(With heater) or -10°C- +70°C
	Operating Relative Humidity	8%-90% (No Condensation)
<b>Certifications</b>	CE	Yes
	FCC	Yes
	Water Proof Rate	IP54

\*Note - GPS module Included / Supports (1) each, 3G or WIFI : selection must be made at time order is placed.

\*Revised 10.28.15