

MDVRHB9705

Hybrid Mobile Digital Recorder

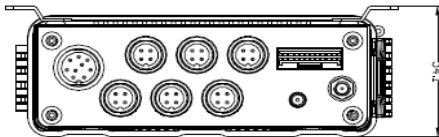


Key Features

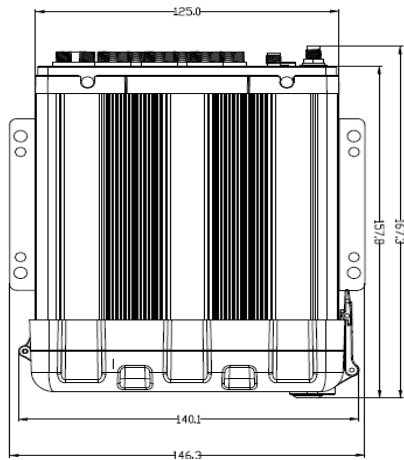
- 4 channels WD1/AHD +1 channel 720P
- Dual SD cards for main recording (not included)
- GPS for location tracking (included)
- 3G/4G or WIFI (optional) for live view and remote management
- 360 degree anti-vibration
- USB2.0 high speed backup
- Certificates: CE, FCC

Dimensions

(H) 54.1 MM



(W) 146.3 MM



| Model | MDVRHB9705 | |
|---------------------------------|---|--|
| Function Overview | Preview, Recording, Playback, Network, Locating | |
| System | OS | Linux 3.0.8 |
| | Control Mode | LCDCP7-TS, MNVR-EC, Network, Mouse |
| Video | Video Input | 4 channels WD1/AHD +1 channel 720P |
| | Video Output | 1 channel (Aviation-din X1) |
| | Total Resource | (4 x 30)FPS WD1 NISTC / (4 x 25)FPS WD1 PAL, (1 x30)FPS 720P |
| | Video Signal Standard | Electrical level: 1Vpp Impedance : 75Ω NTSC/PAL Optional |
| | Video system | NTSC / PAL (optional) |
| Audio | Audio Input | 5 channels (1 channel IPC audio input) |
| | Audio Output | 1 channel |
| | Audio Signal Standard | Electrical level: 2Vpp Input impedance: 4.7kΩ |
| Display | Display Split | 1/4/9 |
| | OSD | GPS information, alarm, vehicle No., speed, date/time |
| | Operation Interface | Semi-transparent GUI |
| Recording | Video/Audio Compression | H.264/ADPCM |
| | Image Resolution | Analog: NTSC: AHD 720p, WD1(928X480), WHD1(928X240), WCIF(464X240), D1(704x480), HD1(704x240), CIF(352x240) PAL: WD1(928X576), WHD1(928X288), WCIF(464X288), D1(704X576), HD1(704x288), CIF(352x288) Digital: 720P(1280X720) |
| | Image Quality | 1-8 levels adjustable (1 is the best) |
| | Recording Mode | Boot up/Manual/Schedule/Alarm |
| | Pre-recording | 0-60minutes |
| | Post-recording | 0-30minutes |
| | Mirror Dual Recording | Support |
| Playback | Playback Channel | 1 channel by local playback |
| | Search Mode | Date/time, channel, event |
| Network | 3G/4G | EVDO/WCDMA/LTE (optional) |
| | WIFI | (Optional) |
| | IPC Ethernet | 6 pin DJ (100Mx1,PON Power Supply) |
| Location | GPS | location tracking, speed detection and time sync (Included) |
| Storage | SD Card | SD Card X2 - Recommended (32GB / 64GB / 128GB/ Class 10/ SDHC Card (not included) |
| Interface | USB | USB 2.0 × 1 |
| | RS232 | RS232 × 1 |
| | Sensor | 8 inputs, 2 outputs |
| | Speed | 1 channel pulse speed detection |
| | Intercommunication | 1 mic interface |
| Power | Input | DC8-36V,Ignition signal |
| | Output | 5V@1A |
| | Max Power Consumption | 29W |
| | Standby Power Consumption | ≈0W |
| Physical Characteristics | Dimension (L x W x H) | 167.3mm x 146.3 mm x 54.1mm |
| | Weight | 0.83kg / 1.83 lb. |
| Environment | Operating Temperature | -40°C- +70°C(With heater) or -10°C- +70°C |
| | Operating Relative Humidity | 8%-90% (No Condensation) |
| Certifications | CE | Yes |
| | FCC | Yes |
| | Water Proof Rate | IP54 |

*Note - GPS module Included / Supports (1) each, 3G or WIFI : selection must be made at time order is placed.

*Revised 10.28.15