

## PTZ2000VIR-IP

## ViewXtation

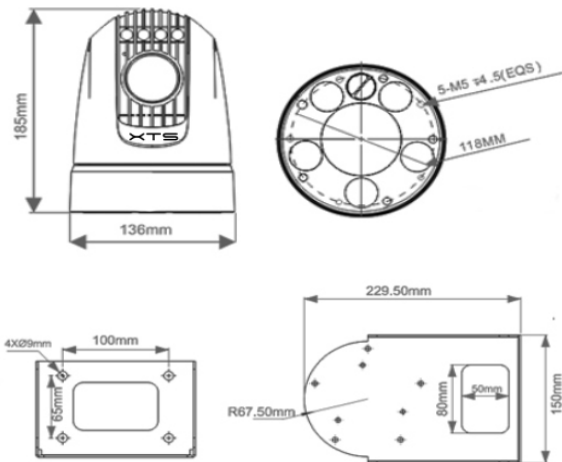
### MOBILE PTZ-IP



### Key Features

- Aluminum housing;
- IP66 weatherproof;
- Efficient 60M IR distance;
- ONVIF Compliant;
- Wide range of voltage input;
- Up to 1080p resolution;
- H.264 video compression, dual stream;
- 1/2.8" CMOS, 20x optical zoom, D/N, WDR;
- Image flip for stand / suspended installation;
- Special design of drive system, PTZ positioning precision up to +/-0.05 degree.

### Dimensions



\*Revised 03.16.2016

FEATURES	PTZ2000VIR-IP
<b>Camera</b>	
Image Sensor	1/2.8" type solid state Progressive Scan CMOS
Effective Pixel	2.14 megapixel
Video Format	HD:1080p/30, 1080p/25, 720p/30, 720p/25; SD:PAL/NTSC
Min Illumination	0.5 Lux (Lights Off); 0.1Lux (Lights On)
Zoom	Optical: 20X; Digital: 12X
Lens	f=4.7mm-94mm, F1.6 to F3.5
View Angle	59.5° (wide) to 3.3° (tele)
White Balance	Auto
Focus	Auto / Manual
Exposure	Auto / Manual
S/N Ratio	Not less than 50 dB
BLC	On/Off
WDR	On/Off
Digital Noise Reduction	1-5 Steps / Off
Day / Night	Auto / Manual
<b>PTZ</b>	
Pan Range	360° Continuous
Pan Speed	0.1° ~ 60°/s, adjustable
Tilt Range	-15°~90° (Auto flip)
Tilt Speed	0.2° ~ 60°/s, adjustable
Preset Speed	Pan: 50°/s; Tilt: 50°/s
Preset	256
Preset Precision	±0.05°
<b>IR Light</b>	
Wave Length	850nm
Range	60m
Switch	Auto/Manual
<b>Network</b>	
Max. Image Resolution	1920 * 1080
Max. FPS	50Hz: 25fps (1920*1080) / 25fps (1280*720) ; 60Hz:30fps (1920*1080) / 30fps (1280*720)
Image Compression	H.264 baseline profile
Protocols	Ipv4, HTTP, HTTPS, 802.1x, QoS, FTP, SMTP, UPnP, SNMP, DNS, NTP, RTSP, RTP, TCP, UDP, ICMP, DHCP, PPPOE
No.of Users Access	Up to 10
Dual Stream	Support
<b>Interface</b>	
Audio In	One channel in, line input, audio peak: -2.4V[p-p]; output impedance: 1 k $\Omega$ ± 10%
Ethernet Interface	RJ45, 10/100M
<b>General</b>	
OSD	English
Voltage	DC 9 ~ 36V
Power	<0.5W (Standby); 20W (Max)
Working Temperature.	-35°C ~ +65°C
IP Index	IP66
Dimension	Standard (Without Damper): $\varnothing$ 136(mm)×185(mm)
Weight	Standard (Without Damper): 2.1(±0.2)kg;

\*Design and specifications are subject to change without prior notice.